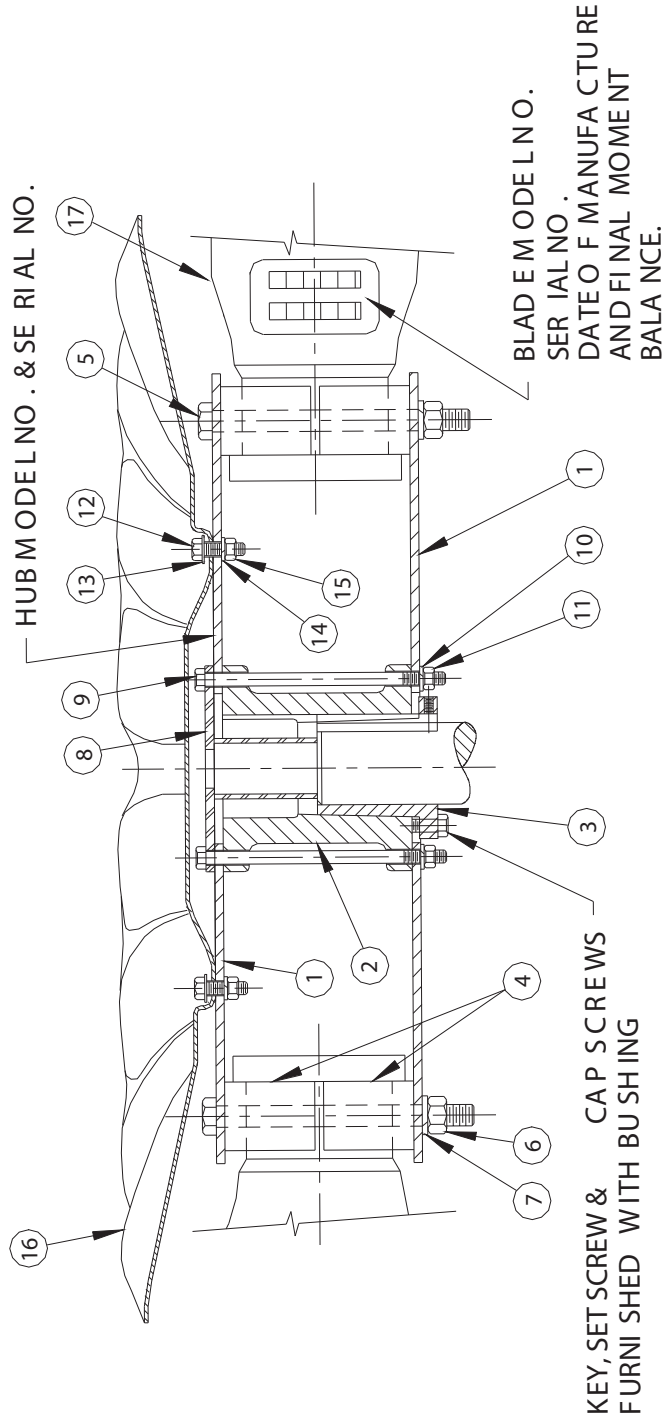


3000 Series Tuf-Lite Fans



PROJECT NAME AND LOCATION:			
MODEL NO.:			
DWG NAME:			
DRAWING NUMBER: A-100	JOB NUMBER:	SHEET 1 of 1	REV: 0
SCALE: NO SCALE	COMMENTS:		

THIS DRAWING IS THE SOLE PROPERTY OF COOLING TOWER DEPOT INC. USE SHALL BE LIMITED TO THE PROJECT FOR WHICH IT IS INTENDED, NO REPRODUCTION SHALL BE MADE NOR SHALL THIS INFORMATION BE MADE AVAILABLE TO THIRD PARTIES WITHOUT THE PRIOR WRITTEN CONSENT BY COOLING TOWER DEPOT INC. ANY AND ALL PROPRIETARY RIGHTS TO THIS INFORMATION AND DESIGN ARE THE SOLE PROPERTY OF COOLING TOWER DEPOT INC.

REVISIONS					
REV.	DESCRIPTION	DESIGNED BY:	CHECKED BY:	APPROVED BY:	DATE:
0					
1					
2					
3					
4					

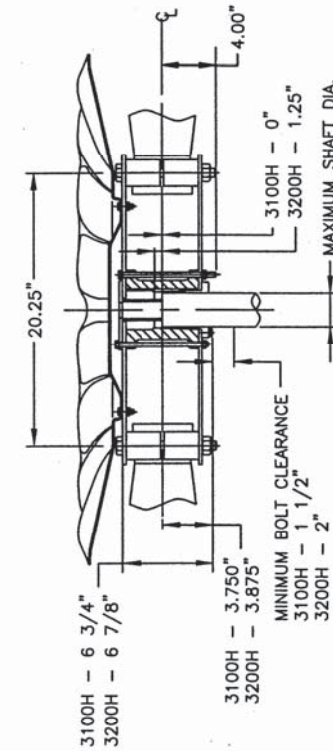
COOLING TOWER DEPOT, INC
CORPORATE CIRCLE
GOLDEN, CO 80401
720-746-1234

JOB NUMBER:	0
SCALE:	NO SCALE
SHEET:	1 of 1
DRAWING NUMBER:	A-100

3000 Series Tuf-Lite Fans

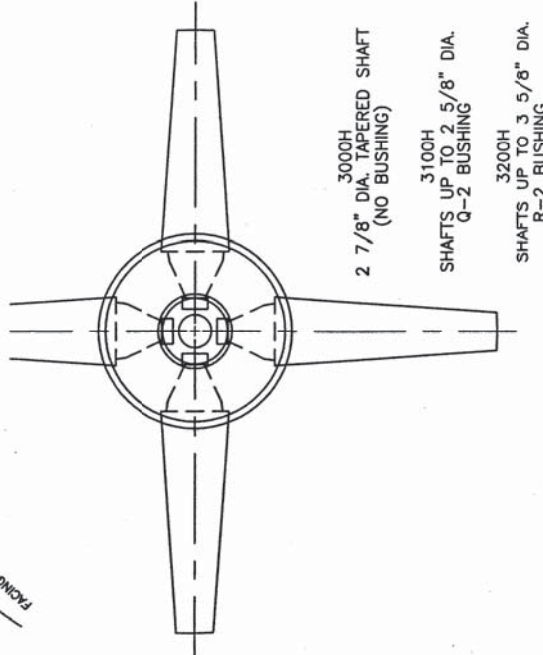
NO. BLD	MODEL	MODEL	FAN WTS	11'	12'	13'	14'
4	3104H	R2	175	218	222	230	234
5	3105H		180	185	190	248	263
6	3106H		196	202	208	214	277
7	3107H		212	219	218	233	306
8	3108H		228	236	244	252	335

FAN DIAMETER (FEET)		7	8	9	10	11	12	13	14
SEAL DISC MODEL		81105	81105	81105	81105	81110	81110	81110	81110
DIAMETER (INCHES)		38.00	38.00	38.00	38.00	42.00	42.00	42.00	42.00
DIM. EE (INCHES)		6.25	6.25	6.25	6.25	9.00	9.00	9.00	9.00
MAX. BLADE DIMENSION AT 22 DEG. PITCH (INCHES)		4.19	3.84	3.48	3.12	4.94	5.18	4.96	4.69
MAX. DEFLECTION		2.24	1.91	1.59	1.26	2.33	1.65	1.44	1.20
		7.58	7.78	7.92	8.07	9.34	9.45	9.54	9.54
		5.35	5.53	5.65	5.78	5.49	5.53	5.60	5.60
		3.00	3.00	3.00	3.00	4.00	4.00	4.50	5.00

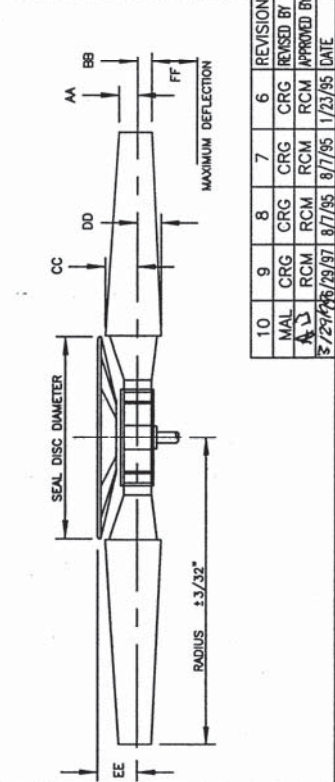


NOTE:

1. THE AA, BB, CC AND DD DIMENSIONS MAY VARY AS MUCH AS 1-1/2" DEPENDING ON HOW THE BLADES ARE TRACKED.
2. A MINIMUM CLEARANCE OF DIMENSION FF UNDER BLADE TIPS IS REQUIRED.
3. FOR HUB INSTALLATION & OPERATION SEE MANUAL IN 3000H.



ACFM	STATIC PRESS.	IN. WATER
TEMP. ° F	DENSITY RATIO	ALT. FT.
FAN R.P.M.	PITCH ANGLE (APPROX.)+	° TO ---
R.S. ° FAN MODEL	HUB MODEL	
BLADE BORE	KEYWAY	
QTY.		
P.O. NO.	HUDSON JOB NO.	
APPROVED	DATE	
HUDSON PRODUCTS CORPORATION HOUSTON, TEXAS		DRAWING NO. CP-3000H
CERTIFIED PRINT		



10	9	8	7	6	REVISION
MAL	CRG	CRG	CRG	CRG	REVISD BY
8/23/95	8/23/95	8/23/95	8/7/95	8/7/95	APPROVED BY
					DATE

PROJECT NAME AND LOCATION:
MODEL NO.:
DWG NAME:
DRAWING NUMBER: A-100
JOB NUMBER:
SHEET 1 of 1
REV: 0
SCALE: NO SCALE
COMMENTS:

THIS DRAWING IS THE SOLE PROPERTY OF COOLING TOWER DEPOT INC. USE SHALL BE LIMITED TO THE PROJECT FOR WHICH IT IS INTENDED. NO REPRODUCTION SHALL BE MADE NOR SHALL THIS INFORMATION BE MADE AVAILABLE TO THIRD PARTIES WITHOUT THE PRIOR WRITTEN CONSENT BY COOLING TOWER DEPOT INC. ANY AND ALL PROPRIETARY RIGHTS TO THIS INFORMATION AND DESIGN ARE THE SOLE PROPERTY OF COOLING TOWER DEPOT INC.

REV.	DESCRIPTION	DESIGNED BY:	CHECKED BY:	APPROVED BY:	DATE:
0					
1					
2					
3					
4					

COOLING TOWER DEPOT, INC
CORPORATE CIRCLE
GOLDEN, CO 80401
720-746-1234

JOB NUMBER: NO SCALE
SCALE: NO SCALE
SHEET 1 of 1
JOB NUMBER: A-100